

# LC25 Handheld Plasma Torch

Index of Torches

Part Numbers

Index of Torches

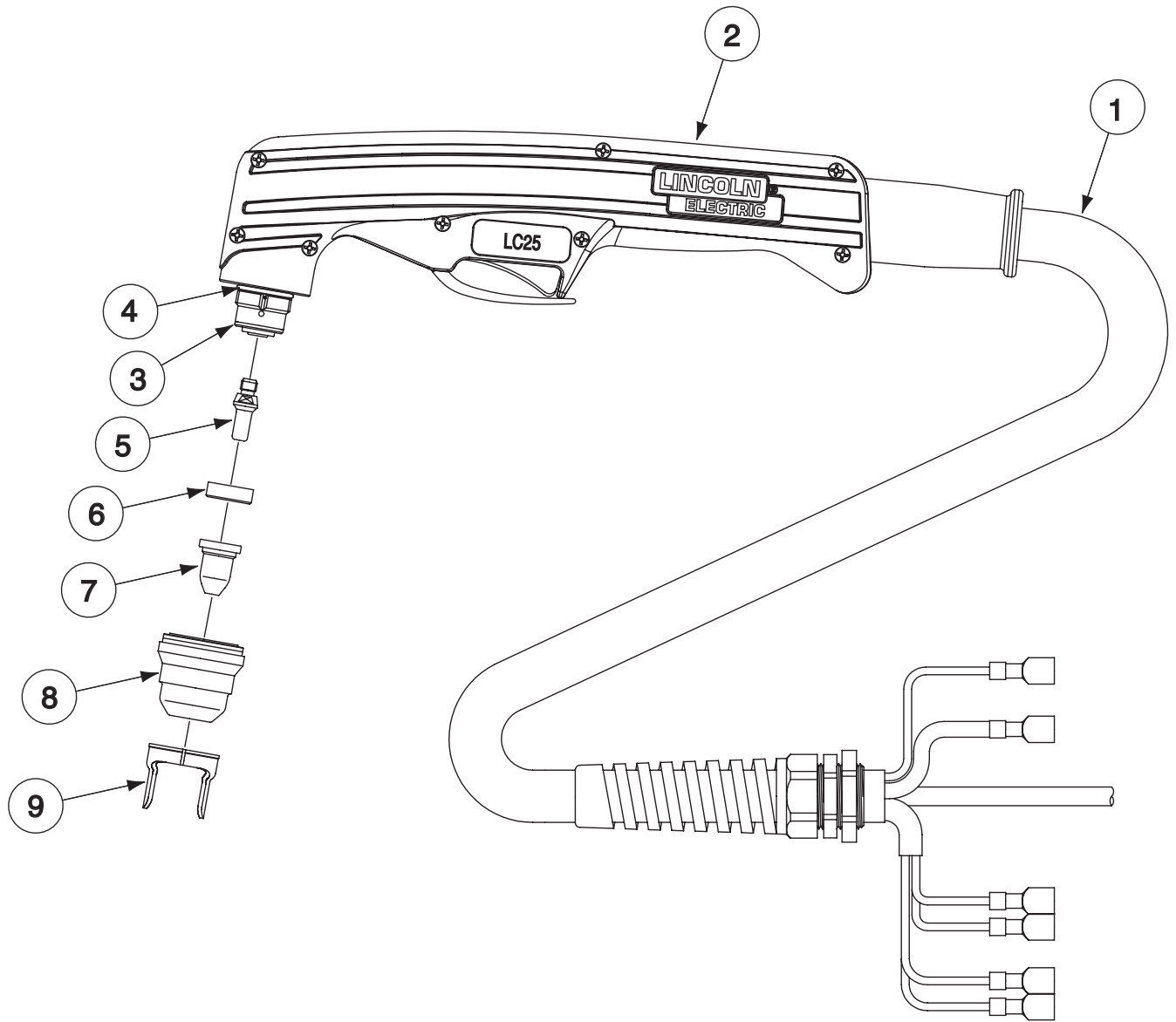
Part Numbers

Index of Torches

Part Numbers

Index of Torches

Part Numbers



# Indicates a change this printing.

Use only the parts marked "x" in the column under the heading number called for in the model index page.

| ITEM | DESCRIPTION   | PART NO.            | QTY.   | 1      | 2 | 3 | 4 | 5 | 6 | 7 | 8 | 9 |
|------|---|---------------------|--------|--------|---|---|---|---|---|---|---|---|
| 1    | LC25 Handheld Plasma Torch (10') (3m), Includes:<br>LC25 Cable (10') (3m) | K2846-1<br>S28173-3 | 1<br>1 | X<br>X |   |   |   |   |   |   |   |   |
| 2    | Handle (Includes Trigger)   | S28173-1            | 1      | X      |   |   |   |   |   |   |   |   |
| 3    | Torch Head (70°)  | S28173-2            | 1      | X      |   |   |   |   |   |   |   |   |
| 4    | O-Ring  | S28173-4            | 1      | X      |   |   |   |   |   |   |   |   |
| 5    | Electrode   | KP2842-1            | 1      | X      |   |   |   |   |   |   |   |   |
| 6    | Swirl Ring  | KP2842-4            | 1      | X      |   |   |   |   |   |   |   |   |
| 7    | Nozzle (25A)  | KP2842-2            | 1      | X      |   |   |   |   |   |   |   |   |
| 8    | Retaining Cap   | KP2842-3            | 1      | X      |   |   |   |   |   |   |   |   |
| 9    | Spacer  | KP2842-5            | 1      | X      |   |   |   |   |   |   |   |   |
| 10   | Electrode Key (Not Shown)   | S28173-5            | 1      | X      |   |   |   |   |   |   |   |   |



Index of Torches  
 Sub Assembly Illustration  
 Index of Torches  
 Sub Assembly Illustration  
 Index of Torches  
 Sub Assembly Illustration  
 Index of Torches  
 Sub Assembly Illustration